

DISCATCHER[®]

PRO24

PARTS LIST

- One (1) 32" Top Pole (longer)
- One (1) 22 3/4" Bottom Pole (shorter)
- One (1) Target Top (w/chains)
- One (1) Basket
- One (1) Target Base

HARDWARE

- Five (5) 5/16" x 2 3/4" stainless steel locking carriage bolts
- Five (5) 5/16" stainless steel with nylon lock nuts
- Five (5) 1/4" stainless steel set screws

Just 5 parts and 4 easy steps.

ASSEMBLY INSTRUCTIONS

STEP 1. Put the Target Base on the ground (outside ring down) and insert the 22 3/4" (short) pole, putting the end with two holes into the Target Base sleeve. Insert and tighten two base carriage bolts with lock nuts. Insert and tighten two set screws.

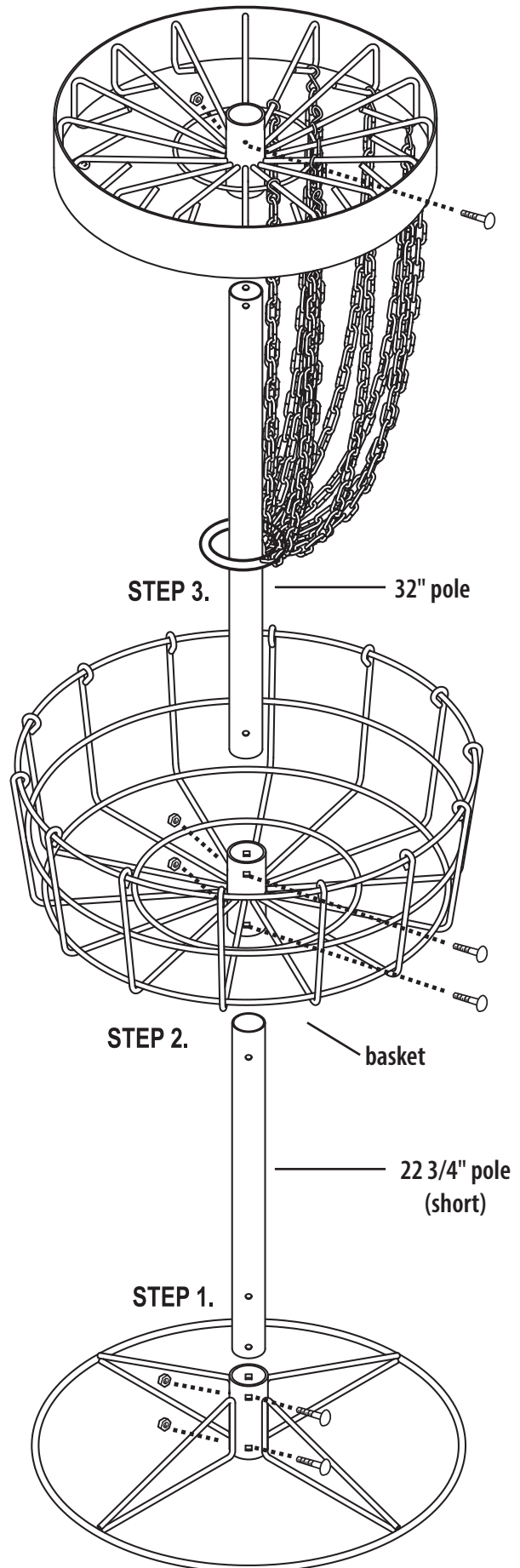
STEP 2. Slide the Basket, open end up, onto short pole. Insert and tighten one carriage bolt and locking nut. Insert and tighten bottom set screw.

STEP 3. Insert the 32" Top Pole into the Basket, ensuring the side with the hole drilled farther from the end goes in first. Insert and tighten one carriage bolt and lock nut. Insert and tighten top set screw.

STEP 4. Lift the Target Top with chains assembly over the top end of the 32" Top Pole. Insert and tighten the carriage bolt with lock nut. Insert and tighten the set screw.

This target is made for indoor or outdoor use.

Scan below for complete target information



Innova - West | 950 S. Dupont Ave. - Ontario, CA 91761 | 800-408-8449
Innova - East | 2850 Commerce Dr. - Rock Hill, SC 29730 | 800-476-3968